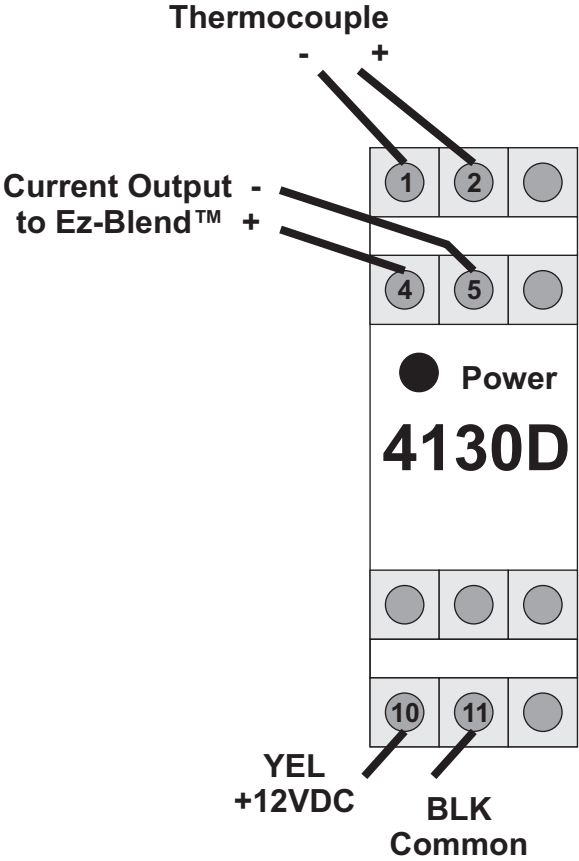


# Ez-Blend™ Wiring Help for Iso Verter II SCL4130 Thermocouple Module



Note: A 250ohm Resistor is required across the Ez-Blend™ Input Terminals.

